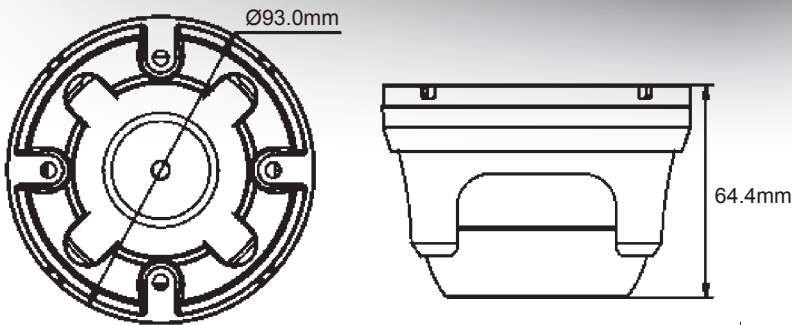


IN-VD8101



Main Features



- 1/3" Megapixel progressive CMOS sensor
- 960P@30FPS
960P@25FPS
- Megapixel 3.6mm fixed iris lens
- True Day/Night mode with mechanical IR Filter
- Plug and play with ICATCH IVR
- High Power IR Array, IR distance up to 40M
- IP66 Weather Proof

Model	IN-VD8101
Image Sensor	1.3 Megapixel 1/3" progressive CMOS sensor
Effective Pixels	1280(H)*960(V)
Video Frame Rate	960P@30FPS / 960P@25FPS
Lens	3.6mm fixed iris lens
Day/Night mode	True Day/Night mode with mechanical IR Filter
Video compression	H.264
Protocol	ONVIF
IR LED range	High Power IR Array, 40M
Weather proof	IP66
Power Source	DC 12V, 1A
Operating Temperature	-10°C ~ 50°C
Storage Temperature	-20°C ~ 60°C

All specifications are subject to change without notice.

